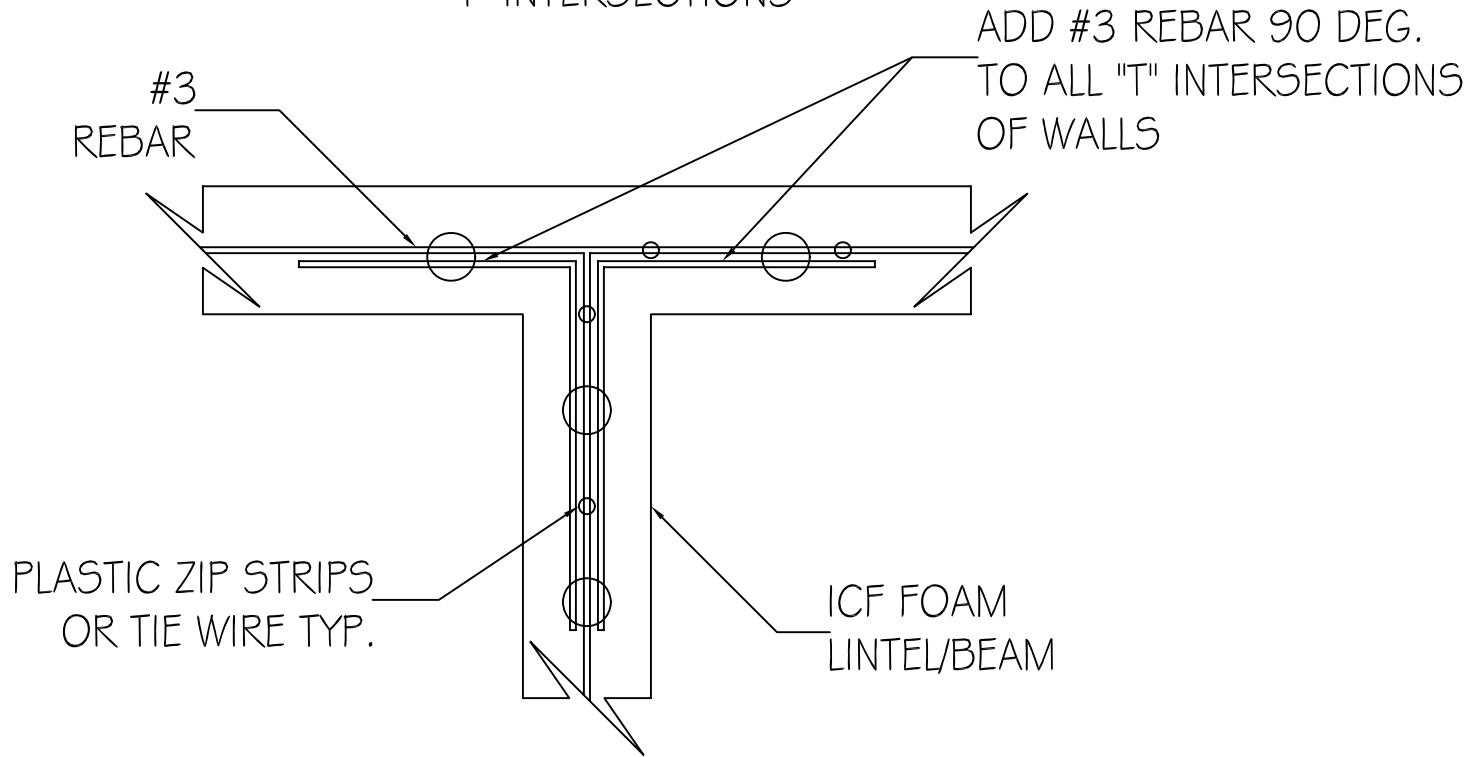


REINFORCE INTERSECTING WALLS -
"T" INTERSECTIONS



"T" INTERSECTIONS TO TIE IN WALLS AT 4' AND 8'
HIGH BEAM/LINTELS

DETAIL 5
(PLAN VIEW)

PG. 15 OF 16

SCALE: 1/4" = 1'-0"